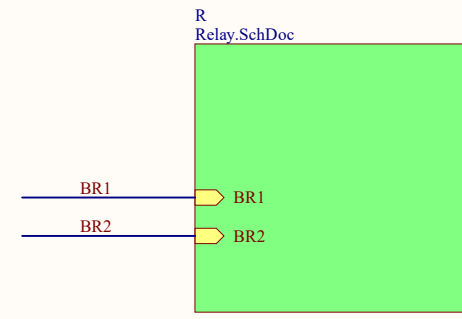
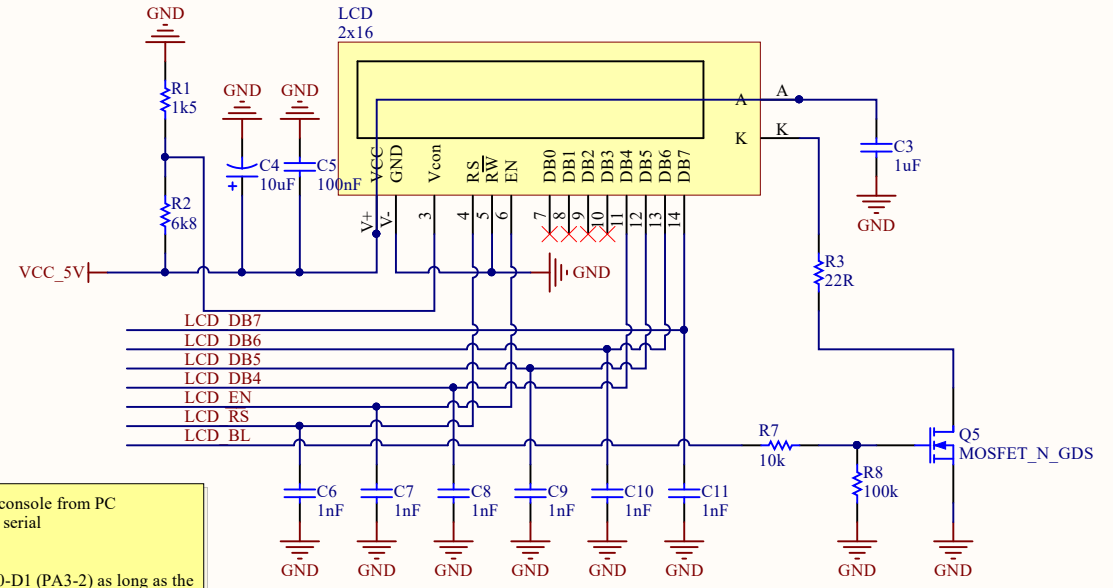
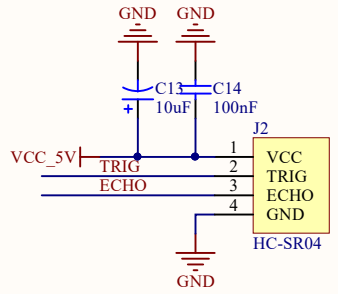
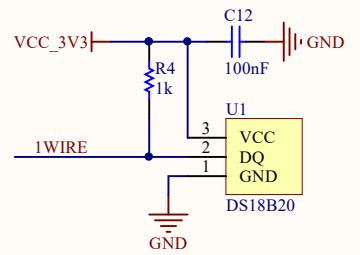
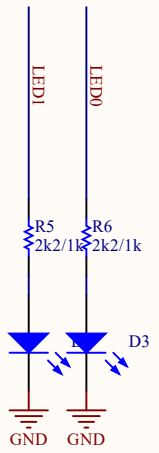


Arduino Uno Shield

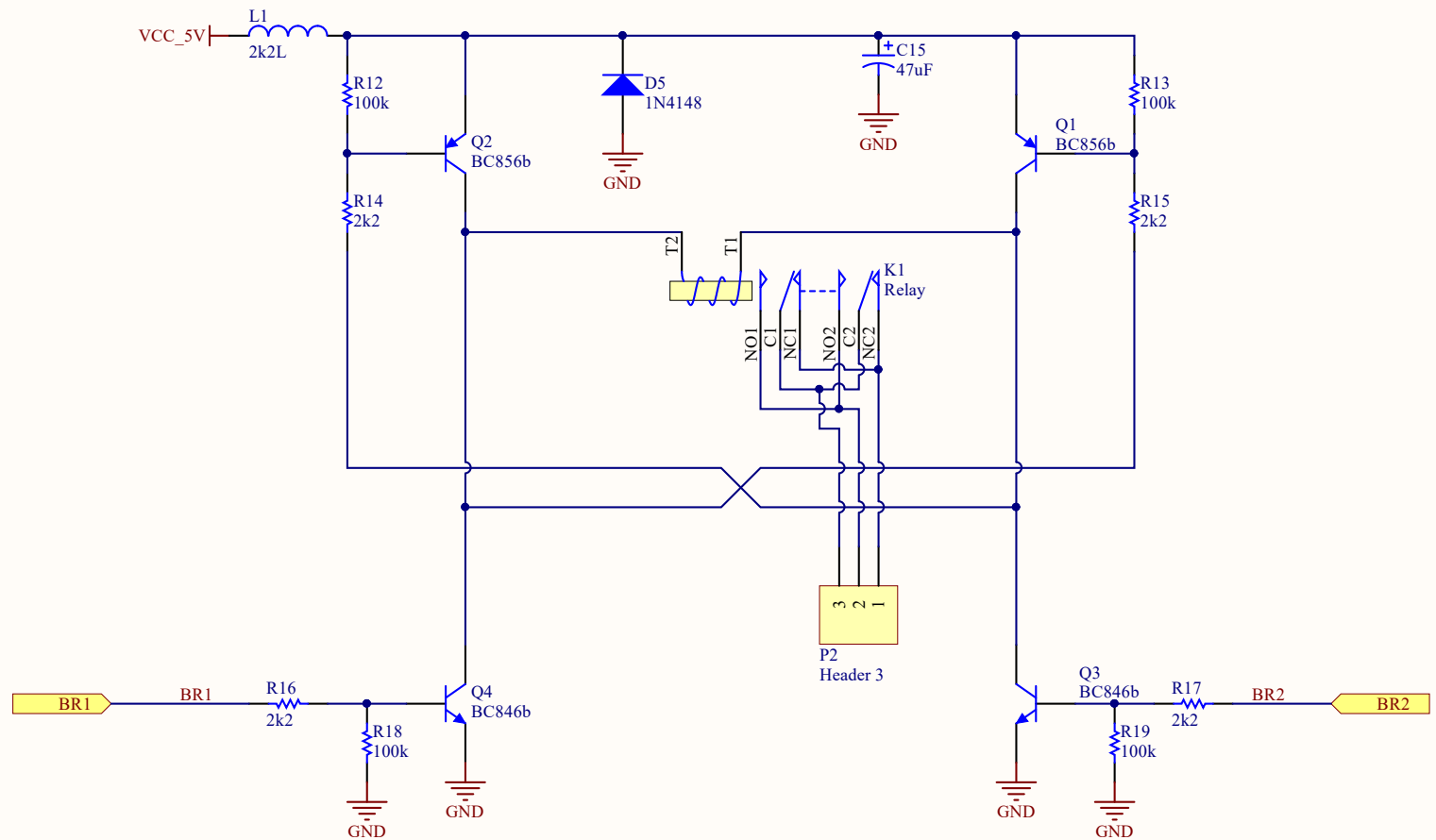
▲ PA2-3: USART2 - AF07 - Serial console from PC  
 PA11-12 USART6 - AF08 - 1 Wire serial

Note:  
 Tx/Rx pins are not connected to D0-D1 (PA3-2) as long as the SB62/SB63 jumpers are not placed.  
 The USB2Serial is connected to PA2-3 instead.

We can keep this behaviour and connect the shield Rx/Tx to



Title		
Size	Number	Revision
A4		
Date:	28/06/2020	Sheet of
File:	\\.\Main.SchDoc	Drawn By:



Title		
Size	Number	Revision
A		
Date:	28/06/2020	Sheet of
File:	\\.\Relay.SchDoc	Drawn By: